

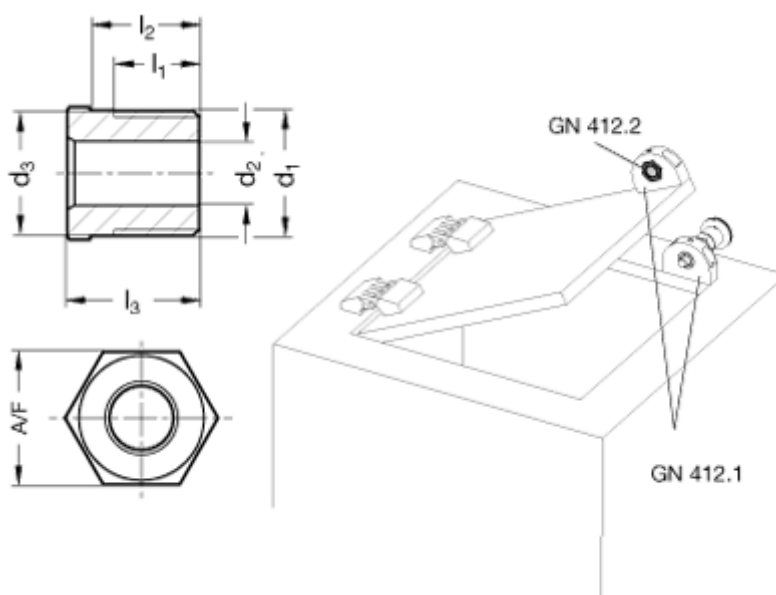
# Data Sheet



Article number: 201035002

Description: E+G Positioning bushing  
GN 412.2-M12x1,5-B6,2

## Measures



$d_1 = M 12 \times 1,5$

$d_2 = B 6,2$

$d_3 = 12,1$

$l_1 = 9$

$l_2 = 12$

$l_3 = 15$

$sw = 13$